

'SoundPro 40'

Product overview:

Australian Architectural Fire Doors have developed the tested & approved 'Sound pro' acoustic door range. Specifically designed & engineered to minimize or block the transmission of sound & vibration between spaces. SoundPro Door Systems are:

- Manufactured locally in QLD under ISO 9001 Quality Standards
- Tested to Australian Standards ISO 354-2006 & AS 2107-2000
- Available in a variety of RW (weighted sound reduction) ratings

Door Details:

Product	RW	Weight	Size	Thick	Perimeter Seal	Meeting stile Seal	Drop Seal	Threshold plate	Frame	Test Reference
SoundPro 40 - Single	RW40	27.3kg/m ²	2100 x 920	73mm	IS1515 IS7087si	N/A	IS8520si	Flat	2mm Steel Frame	AC-PR134A-JPJ-01 Test AC399DR PKA100AFDR02
SoundPro 40 - Double	RW40	27.3kg/m ²	2100 x 920 2100 x 920	73mm	IS1515 IS7087si	IS7061 (2 of)	IS8520si	Flat	plaster filled	PKA100AFDR02

Sizes:

Single: 2100 x 920 x 73

Pair: 2100 x 920/920 x 73

Further sizes available upon request. Please contact your AAFD representative.

Finish Options:

- Ply or MDF
- Laminate – Antibacterial
- STD
- HPL
- Veneer
- Metal (mild steel, aluminium, colour bond)

Frame:

Pressed metal frame

2mm Mild Steel & Stainless Steel

Up to 400mm material girth

Frame fixings

100 x 75 x 3mm ball bearing hinges

Supplied standard with plasterboard backfilling to partition frames only

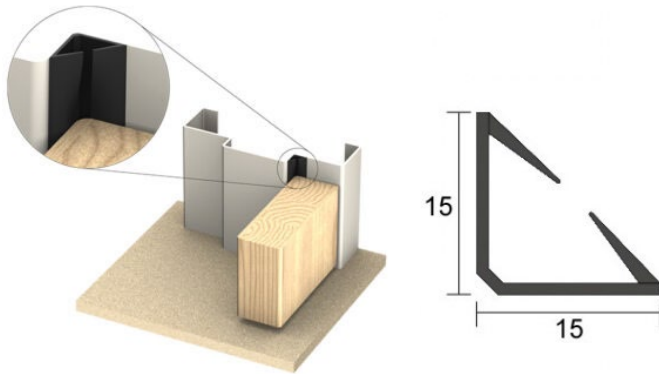
Seals:

Acoustic door sets are supplied standard with tested & approved seal combinations

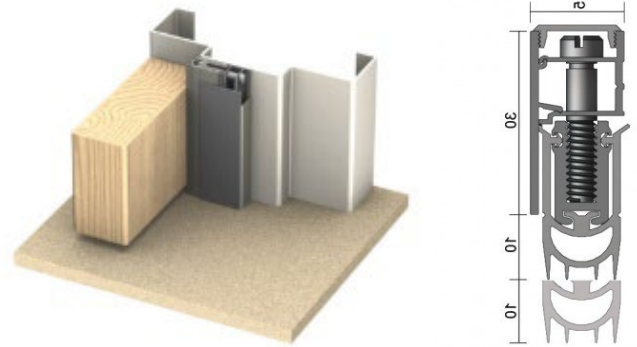
'SoundPro 40'

Door Seal Combination:

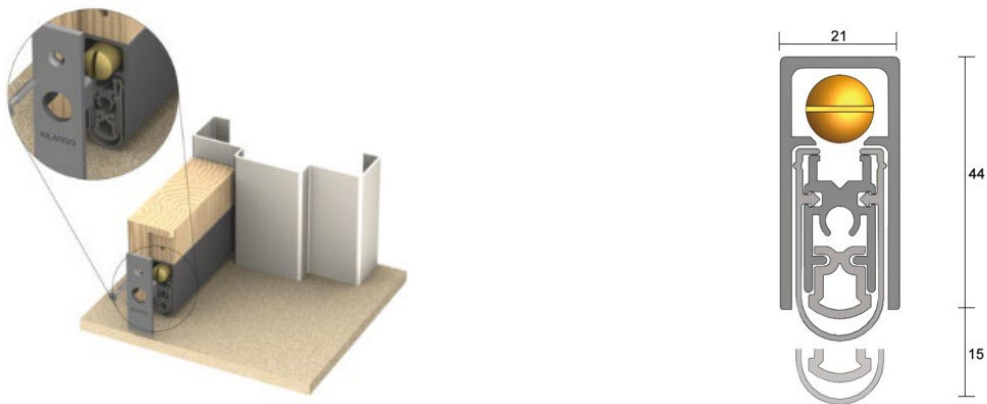
Perimeter seal: IS1515



Perimeter seal: IS7087si



Threshold automatic drop seal: IS8520si



Dual leaf door meeting stile: IS7061si x 2

